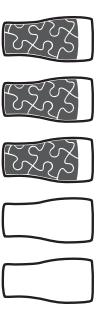




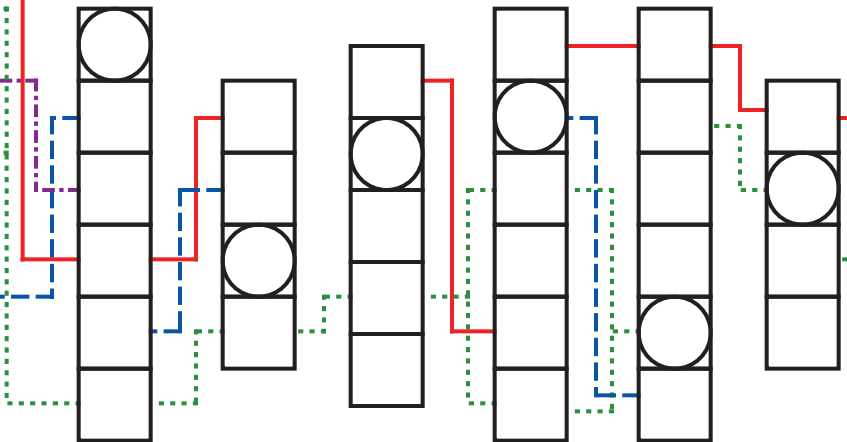
**Puzzled  
Pint**  
*December 2021*

# PROFESSOR



The Professor is creating a generator and a radio, starting with coconuts (as usual!). He's adding a variety of materials easily found on the island, using laboratory equipment, and employing various techniques in the manufacturing process. The materials, equipment, and techniques are clued below in alphabetical order. Use those clued words to fill in the chains representing the Professor's constructions.

C O C O N U T



When you're done, you'll find what the Professor is bringing to the December 14 celebration.

When you're done, you'll find what the Professor is bringing to the December 14 celebration.

common island material

common island fruit

mix

vaporize a liquid using heat

join together

shallow container with a rounded bottom

tool used to chip away

cut

split apart

bore

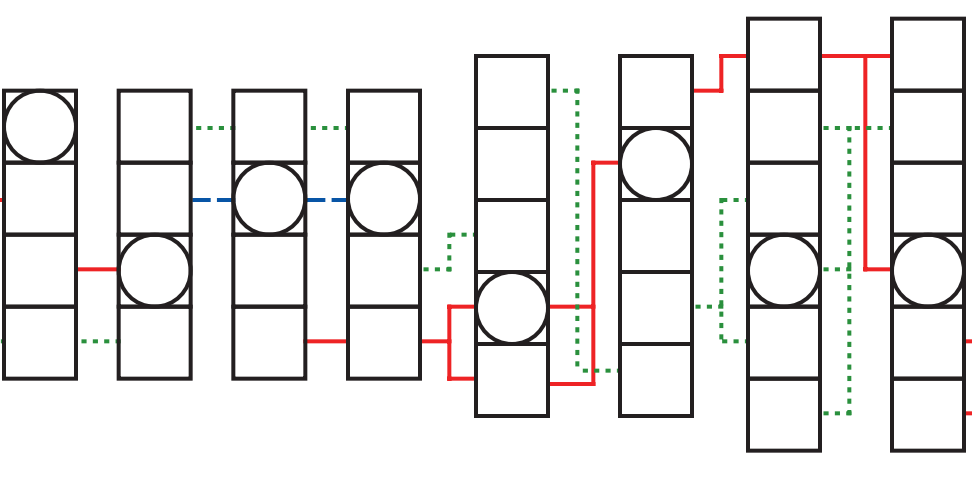
adhere

deform beyond recognition

another common island material

yet another common island material

C O C O N U T



R A D I O